

23.28SYK

HOLLOW CUP DC SERVO MOTOR

空心杯直流伺服电动机



- One of the earliest (1996) companies uses plastic technology as solution for fixed rotor
- With noble metal brush and commutator the motor has higher resistance for bigger impact, higher temperature and a longer life
- It is a great substitute for Japanese motor, and it has a variable applications in different fields like high-end experimental equipment, military exploration and aerospace etc
- 国内最早（1996年）采用塑封技术解决空心杯转子固定方案
- 全贵金属电刷和换向器，使空心杯电机具有高抗震，耐冲击，耐高温，长寿命
- 产品替代日本进口，广泛用于实验室高端仪器，军用探测，航天航空领域



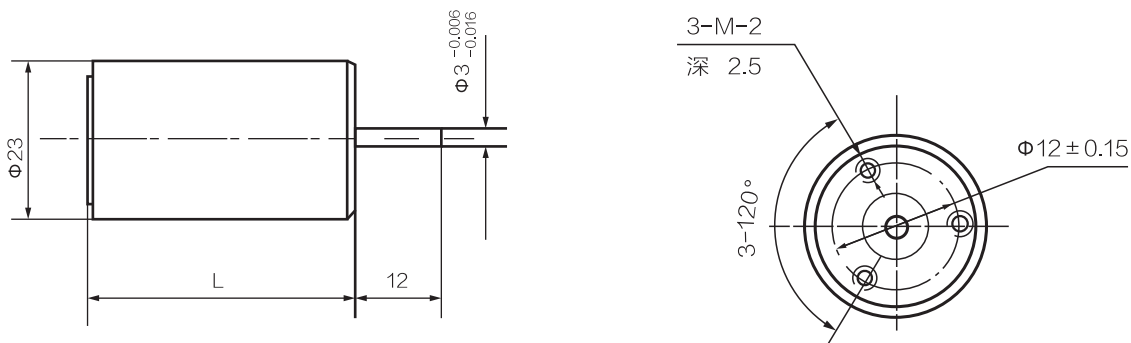
技术参数 Specifications

Model	Rated Voltage (V)	Rated Current (A)	Rated Speed (r/min)	Rated Torque (mN.m)	Electro Mechanical Time Constant (ms)	Res (Ω)	Weight (g)	Length (mm)
型号	额定电压	额定电流	额定转速	额定力矩	机电时间常数	电阻	重量	机身长
23SYK0950	9	0.21	5000	1.96	25	10	60	35
23SYK1250	12	0.17	5000	1.96	25	17	60	35
28SYK0630	6	0.15	3000	1.96	25	10	65	31
28SYK0950	9	0.23	5000	2.94	30	4.2	110	37
28SYK1248	12	0.19	4800	2.94	30	15	110	37
28SYK2445	24	0.21	4500	10	30	11.5	125	42

*以上仅为代表性产品，可根据客户要求制作

外型尺寸 Dimensions

23SYK



28SYK

